

Fountain Control Unit



A “well behaved” fountain needs a minimum of personal intervention. In conjunction with a dual channel time clock and a variety of optional sensors, the AFCU provides all the control logic required by most fountains:

- Dual stage wind control with time delays
- Interlocked pump and light control inputs
- Staged turn on to reduce peak load
- Level control
- Low level cutoff
- Digital anemometer



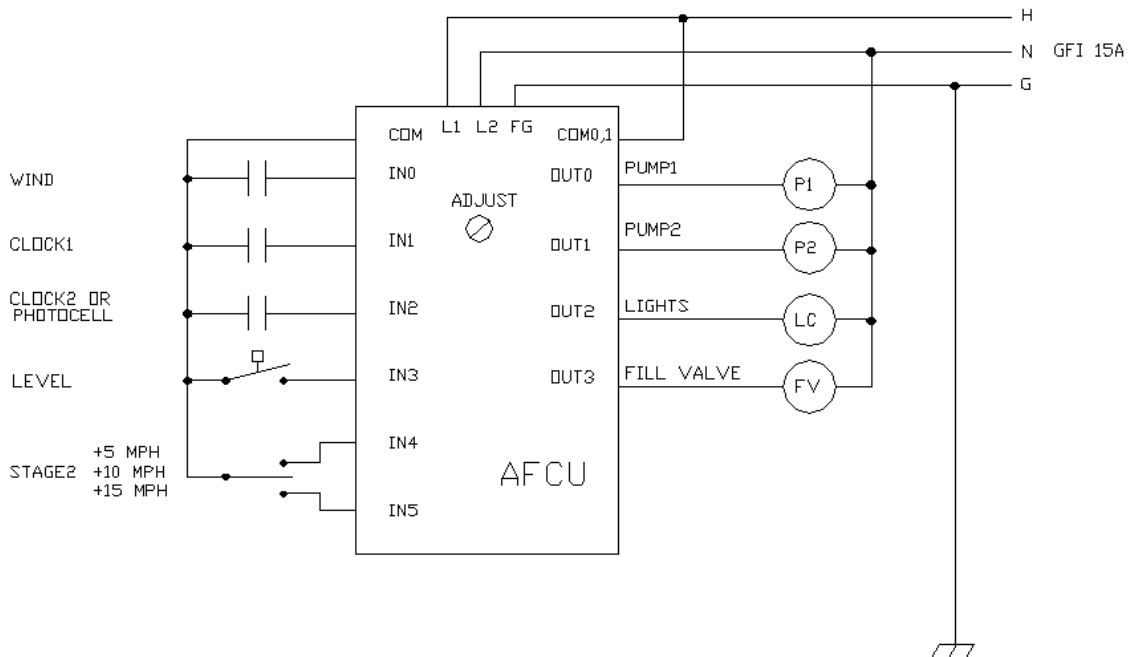
The noise resistant digital anemometer includes 40ft of cable, extendable to 500ft. It mounts on the end of a vertical 1” conduit in free air. Relay outputs are 2 Amp for switching pump and light contactors. Alternate time delays or inverted outputs for bypass valves may be special ordered.



The wind is sampled for a ten second period to ignore gusts. At Stage 1, the Pump2 output opens to shut down a pump or open a bypass valve to reduce the height of the fountain. At Stage2 all pumps and lights are shut off.

A two minute time delay (std) is included to prevent rapid cycling of the pumps. Wind peaks during the time delay period simply reset the full two minute delay.

The level control input must be closed for ten seconds, at which point it will turn on the fill valve. The unit may be ordered with a low water cutoff function which will shut off the fountain if water is called for more than five minutes.



Typical Circuit